



DIRECTORATE OF SPORTS & PHYSICAL EDUCATION UNIVERSITY OF JAMMU, JAMMU

No. PE/16 /1390-1440
Dt. 09/09/2016

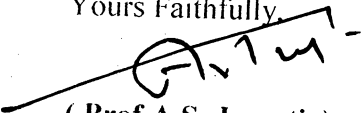
The ~~Principal~~ Director,
IT Enabled Services
University of J

Subject : Revised Fixture for Inter- Collegiate Tournament / Competitions 2016-17

Sir/ Madam,

Kindly find enclosed herewith a copy of the Revised Fixture of Volleyball (Men), Cricket (Men) , Basketball (Women), Korfball, Softball (Men) for Inter- Collegiate Tournaments/ Competitions 2016-17 . This information may kindly be pass on to the concerned officials for active participation by your College students in the Inter- Collegiate Programme of Games and Sports for the current session 2016-17.
Thanking you,

Yours Faithfully,


(Prof A.S. Jasrotia)
Director Physical Edu.

Copy to :-

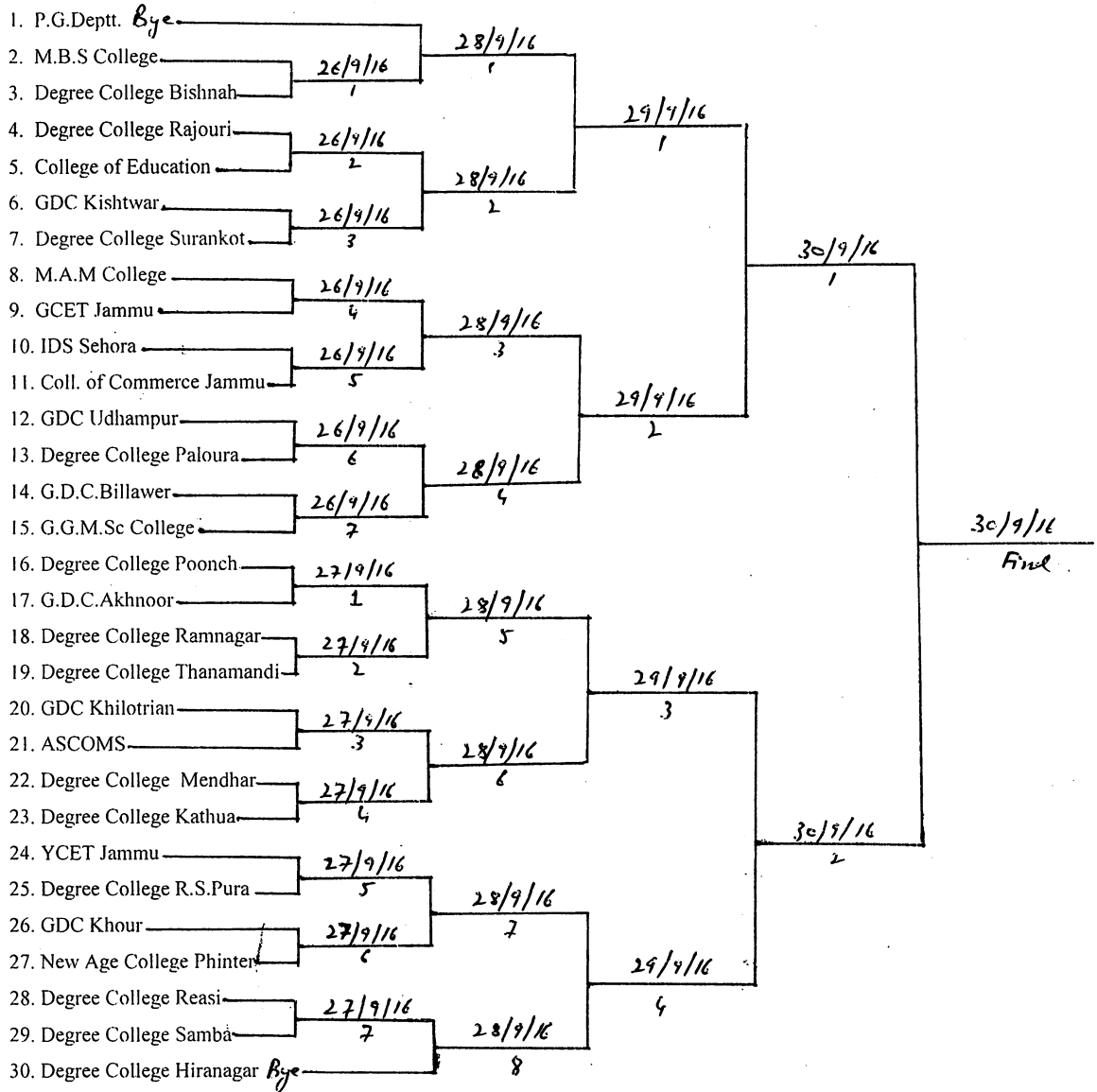
1. Spl. Sec. to the V.C for the kind information of the Hon'ble Vice- Chancellor please.
2. All Members of the Board of Sports and Youth Welfare for the kind inf. pls.
3. PS to the Registrar for inf. of the Registrar pls.
4. The Chairman Campus Sports Committee, University of Jammu for inf. pls.
5. Dean Students Welfare Jammu University for inf. pls.
6. All Principals and Physical Directors of affiliated Colleges for inf. pls.
7. Joint Registrar, University of Jammu for inf. pls.
8. Dy. Director Youth Services and Sports, Jammu Division for inf. pls.
9. Chief Medical Officer, University of Jammu Health Centre for inf. pls.
10. The Sports Officer, M.A Stadium , Jammu for inf. pls.
11. The Security Officer, University of Jammu for inf. pls.
12. All Coaches/ Supervisors, University of Jammu for inf. pls.
13. Master File
- 14 Notice Board
- ✓ 15 I.T Section for uploading on the website .



DIRECTORATE OF SPORTS & PHYSICAL EDUCATION
UNIVERSITY OF JAMMU
Session 2016-17
REVISED FIXTURE

Venue: NUC
 Time:-9.30 a.m.
 Date:26/09/16 to 30/09/16

20. Volleyball (M)



Note :- The Inter- Collegiate Volleyball (M) Tournament will be conduct in accordance with the new Rules of AIU New Delhi and Volleyball Federation of India.

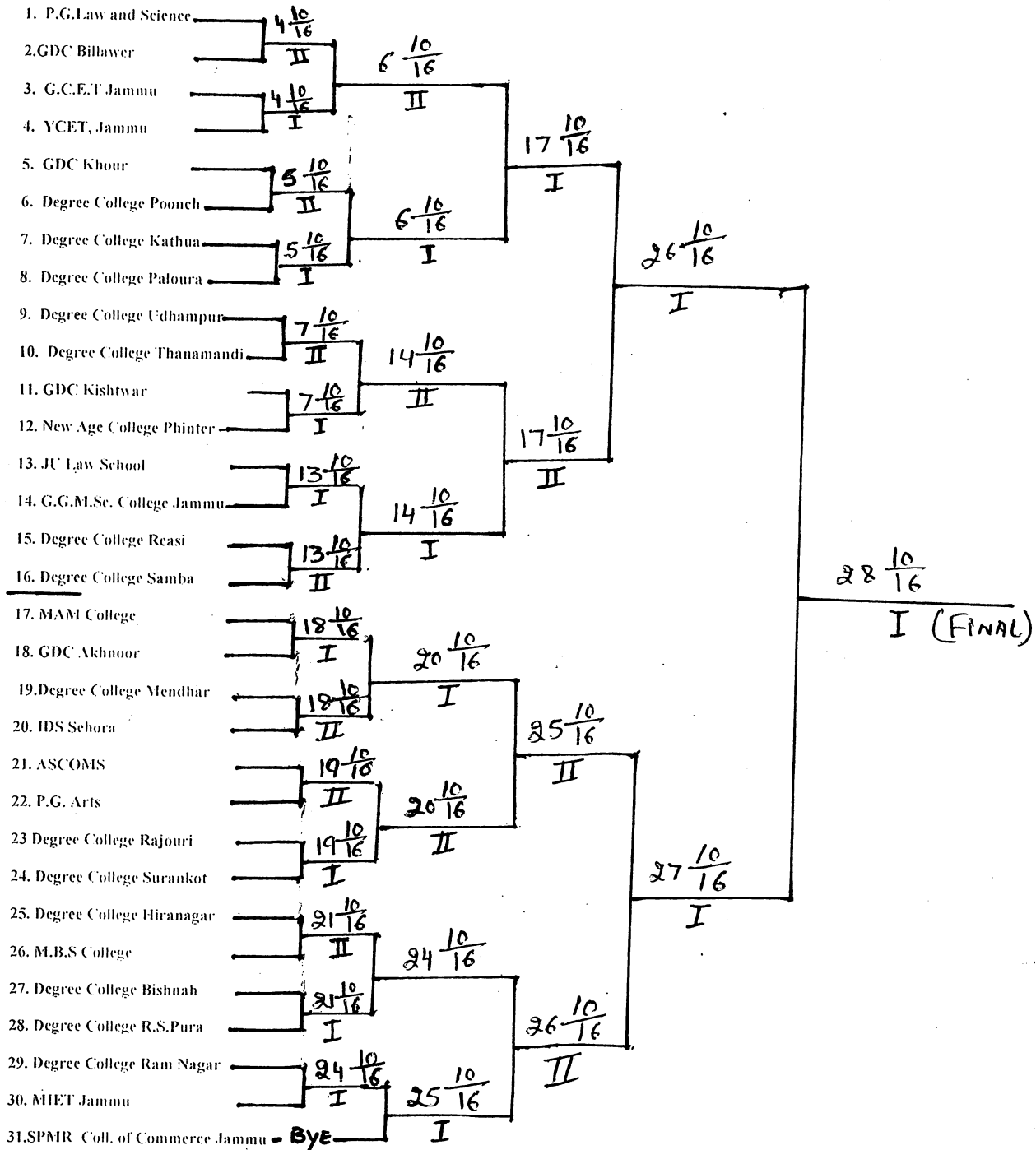
Handwritten signature

DIRECTORATE OF SPORTS & PHYSICAL EDUCATION
UNIVERSITY OF JAMMU
 Session 2016-17

REVISED FIXTURE

Venue:- University cricket Ground
 Time:- 9.00 am & 12.30 pm
 Date:- 04/10/2016 onwards

26. Cricket (M)



Rules :- i) The Inter- Collegiate T-20 (Men) Tournament will be organized as per rules adopted by the AIU. All the matches will be consists of 20 overs.
 ii) The 1st Match will start at 9.00 a.m and 2nd Match will start 12.30 p.m. iii) In case of tie super over comes into consideration.
 iv) In case of poor weather i.e bad light, rain etc. conditions the match will be decided on the basis of toss.
 Note:- Colleges will provide their own balls of following quality. i) S.G.Club or above ii) S.G (Tournament).

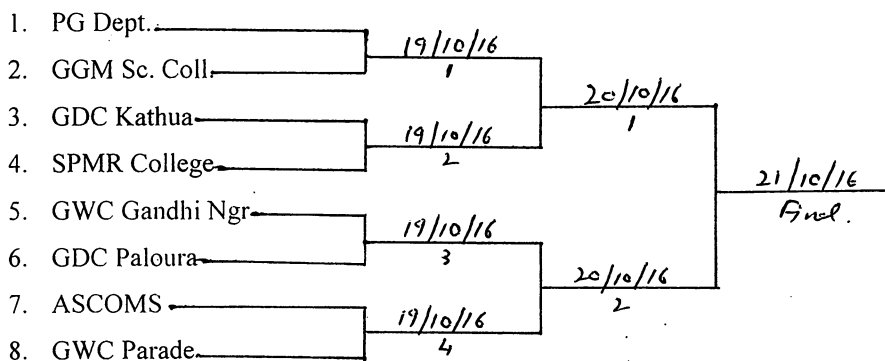
(Handwritten signatures)



DIRECTORATE OF SPORTS & PHYSICAL EDUCATION
UNIVERSITY OF JAMMU
Session 2016-17
REVISED FIXTURE

38. Basketball (W)

Venue: NUC
Time: 9.30 a.m.
Date: 19/10/16 to 21/10/16



Note: - Tournament will be conducted as per AIU rules and Basketball Federation of India.

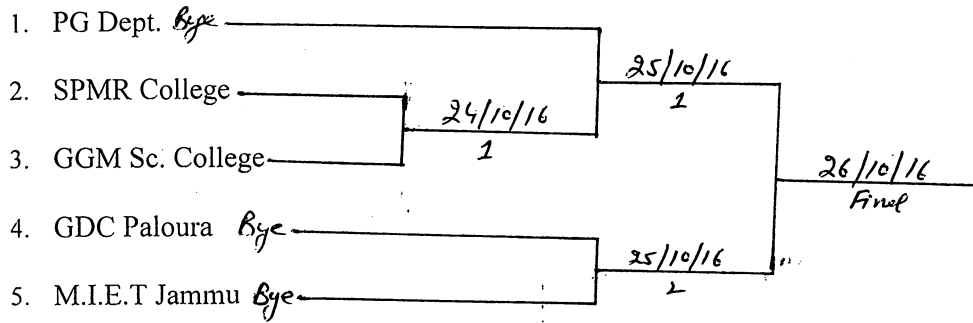
Handwritten signature
Handwritten signature



DIRECTORATE OF SPORTS & PHYSICAL EDUCATION
UNIVERSITY OF JAMMU
Session 2016-17
REVISED FIXTURE

Venue: NUC
Time: 9.30 a.m.
Date: 24/10/2016 to 26/10/16

41. Korfball



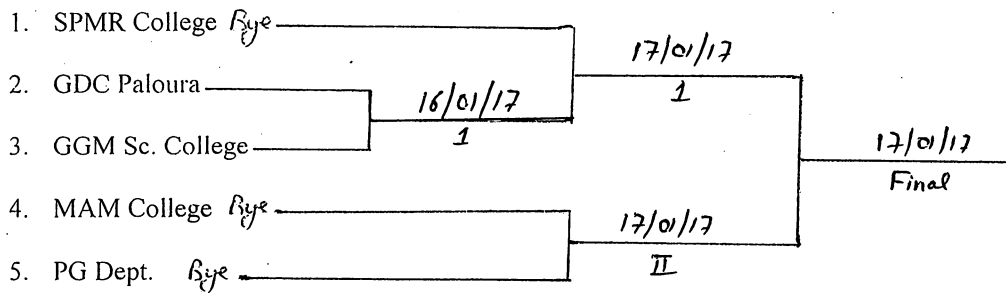
Handwritten signature
Handwritten text



DIRECTORATE OF SPORTS & PHYSICAL EDUCATION
UNIVERSITY OF JAMMU
Session 2016-17
REVISED FIXTURE

Venue: NUC
Time: 9.30 a.m
Date: 16/01/17 to 17/01/17

36. Softball (M)



Pardeep

16.1.17